

1. PERSONAL DETAILS

Current category (please tick) Member Fellow

Membership number

Member Mx member Member
Title

Family name

First name(s)

Home address

Postcode

Telephone number

Email

Job title

Employer's name

Employer's address

Postcode

Email

2. CSci SUPPORTER

Name

Membership category

Job title

Work address

3. PROFESSIONAL ATTRIBUTES

The professional attributes for CSci are grouped into five key areas:

- A. Application of knowledge
- B. Personal responsibility
- C. Interpersonal skills
- D. Professional practice
- E. Professional standards

All sections must be completed with reference to the appropriate piece(s) of primary evidence in your portfolio.

Please refer to the Science Council website for further guidance <http://sciencecouncil.org/>

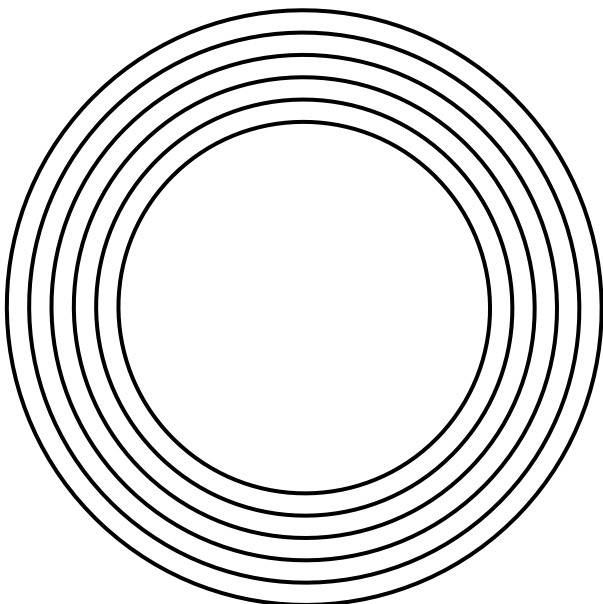
A1	Demonstrate how you use knowledge, experience, skills and broader scientific understanding to optimise the application of existing and emerging science and technology.	
-----------	---	--

A2	Exercise sound judgement and understand principles of uncertainty in complex and unpredictable situations.	
-----------	--	--

Demonstrate critical

Promote, implement and take responsibility for robust policies and protocols relating to health, safety and sustainability.

Promote and ensure compliance with all relevant regulatory requirements and quality standards.

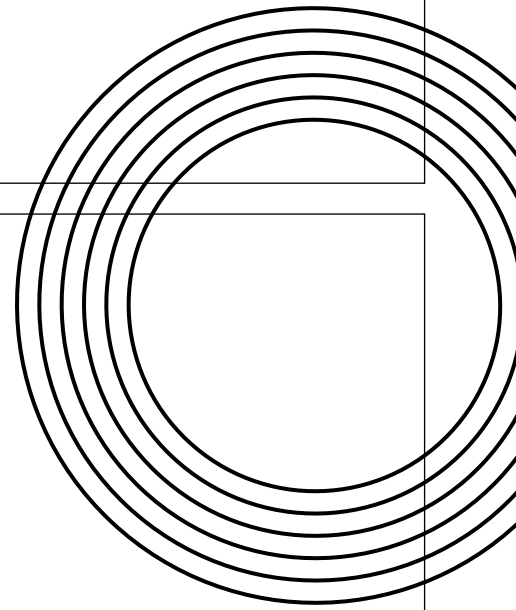


C1

Demonstrate the ability to communicate effectively with specialist and non-specialist audiences.

C2

Demonstrate effective leadership through the ability to guide, influence, inspire and empathise with others.



C3

Demonstrate the ability to mediate, develop and maintain positive working relationships.

D1

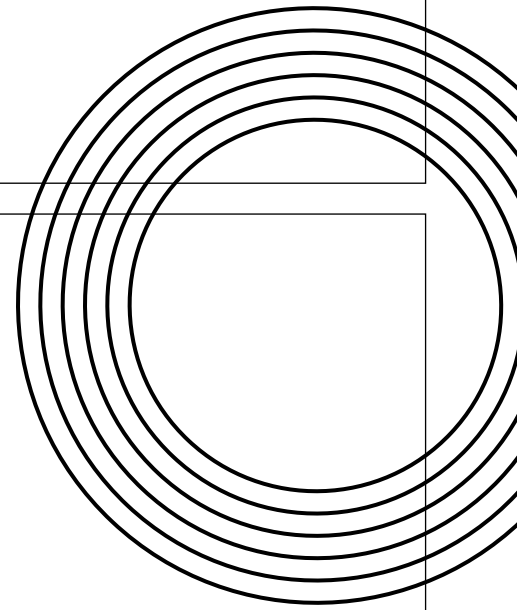
Demonstrate how you scope, plan and manage projects.

D2

Demonstrate the achievement of desired outcomes with the effective management of resources and risks.

D3

Take responsibility for continuous improvement within a scientific or technical environment.



E1

Comply with and promote relevant codes of conduct and practice.

E2

Demonstrate a commitment to professional development through continuing advancement of your own knowledge, understanding and competence.

4. CSci SUPPORTER'S STATEMENT

Please comment on how you feel the applicant has met the competencies for CSci. Please link your answers to the following five areas:

- A. Application of knowledge
- B. Personal responsibility
- C. Interpersonal skills
- D. Professional practice
- E. Professional standards

Please refer to "An applicant's guide to becoming a Chartered Scientist" for help completing this section.

Supporters name

I hereby certify that to the best of my knowledge the applicant meets the requirements to become a Chartered Scientist.

Supporters signature

Date

5. REQUEST TO APPEAR ON CSci REGISTER

If my application is successful I would like my name to appear on the Chartered Scientist web register (please tick)

For more details regarding the CSci web register please visit the Science Council website www.charteredscientist.org

6. DECLARATION

I, the undersigned do hereby declare that the information given on this form and in any attachments is correct to the best of my knowledge and belief and that I will abide by the decision of the Royal Society of Chemistry Board of Trustees in pursuance of this application. As a CSci I will continue to review my professional development activities and keep accurate records which I understand may be requested by the Royal Society of Chemistry for review as part of the revalidation process.

Name

Date

The information supplied on this form will only be used for the purposes of your application to this designation. This will include disclosure of the information in your application to external assessors.

